

FAG

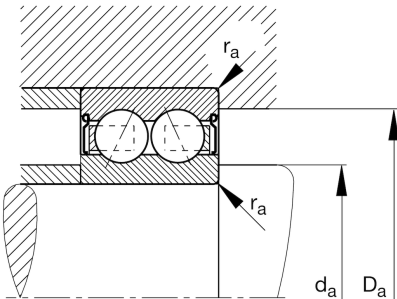
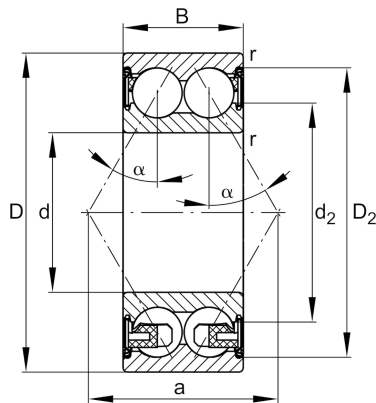
3204-BD-XL-2Z-TVH-C3

Angular contact ball bearing

Schaeffler ID:
0625985200030Angular contact ball bearing 32..-BD-
XL-2Z-TVH, double row, X-life, shields,
plastic cage

X-life

Technical information

**Main Dimensions & Performance Data**

d	20 mm	Bore diameter
D	47 mm	Outside diameter
B	20.6 mm	Width
C_r	20,600 N	Basic dynamic load rating, radial
C_{0r}	12,900 N	Basic static load rating, radial
C_{ur}	900 N	Fatigue load limit, radial
n_G	12,100 1/min	Limiting speed
n_{gr}	14,700 1/min	Reference speed
	0.152 kg	Weight

Mounting dimensions

$d_{a\ min}$	25.6 mm	Minimum diameter shaft shoulder
$D_{a\ max}$	41.4 mm	Maximum diameter of housing shoulder
$r_{a\ max}$	1 mm	Maximum fillet radius

Dimensions

$r_{\ min}$	1 mm	Minimum chamfer dimension
D_2	42.2 mm	Caliber diameter outer ring
d_2	29.2 mm	Caliber diameter inner ring
a	27.9 mm	Distance between the apexes of the pressure cones
α	30 °	Contact angle

Temperature range

$T_{\ min}$	-20 °C	Operating temperature min.
$T_{\ max}$	120 °C	Operating temperature max.